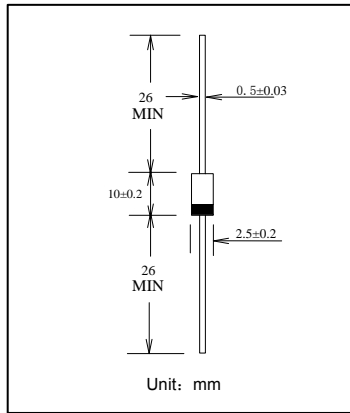




**塑封快恢复高压二极管**  
 反向电压 10KV  
 正向电流 5mA

**Plastic Fast Recover High Voltage Rectifier**  
 Reverse Voltage 10KV  
 Forward Current 5mA



### 特征 Features

- 超小型 Supersmall size
- 高可靠性 High reliability
- 高速开关 High speed switching
- RoHS对应产品 RoHS corresponding products

### 用途 Purpose

- 彩色电视机高压主电源整流用  
Rectification for high voltage power supply of color T.V.
- CRT显示器高压电源整流用  
Rectification for high voltage power supply of CRT display
- 空气净化器用 Air Clean Car
- 其它高压电源整流用 Others

**极限值和温度特性** TA = 25℃ 除非另有规定。

**Maximum Ratings & Thermal Characteristics** Ratings at 25℃ ambient temperature unless otherwise specified.

参数名称 Item	符号 Symbol	2CL72A	单位 Unit
反向重复峰值电压 Repetitive Peak Reverse Voltage	$V_{RRM}$	10	KV
正向平均电流 Average Forward Current	$I_{F(AV)}$	5 (正弦半波50HZ, 电阻负载Ta=25℃) (50HZ half-sine wave, Resistance load Ta=25℃)	mA
正向(不重复)浪涌电流 Non-Repetitive Forward Surge Current	$I_{FSM}$	0.5 (正弦半波50HZ, 1/2周期, Ta=25℃) (50HZ half-sine wave, 1/2 cycle, Ta = 25℃)	A
工作环境温度 Ambient Temperature	$T_{amb}$	-40 --- +100	℃
最高结温 Maximum Junction Temperature	$T_{(vj)}$	120	℃
贮存温度 Storage Temperature	$T_{stg}$	-40 --- +120	℃

**电特性** TA = 25℃ 除非另有规定。

**Electrical Characteristics** Ratings at 25℃ ambient temperature unless otherwise specified.

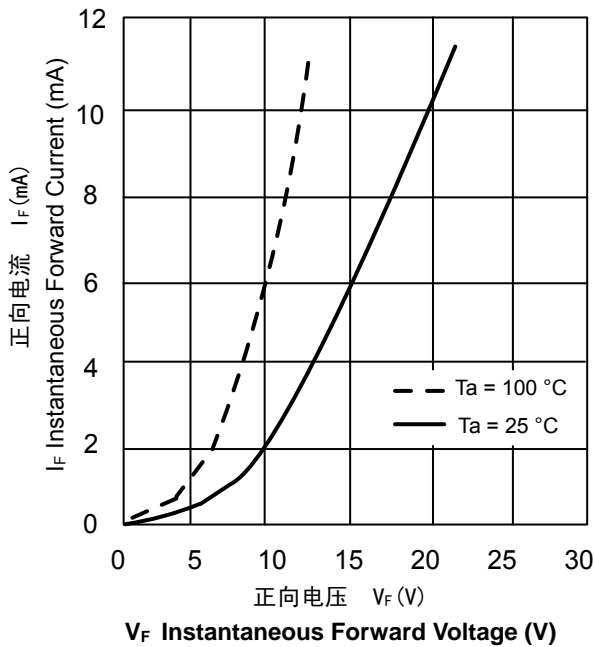
参数名称 Item	符号 Symbol	2CL72A	单位 Unit
正向压降 Forward Voltage Drop	$V_F$	30	V
常温反向漏电流 Normal Temperature Reverse Current	$I_{RM1}$	2	μA
高温反向漏电流 High Temperature Reverse Current	$I_{RM2}$	5	μA
反向恢复时间 Reverse Recovery Time	$t_{rr}$	100	nS



## 特性曲线 Characteristic Curves

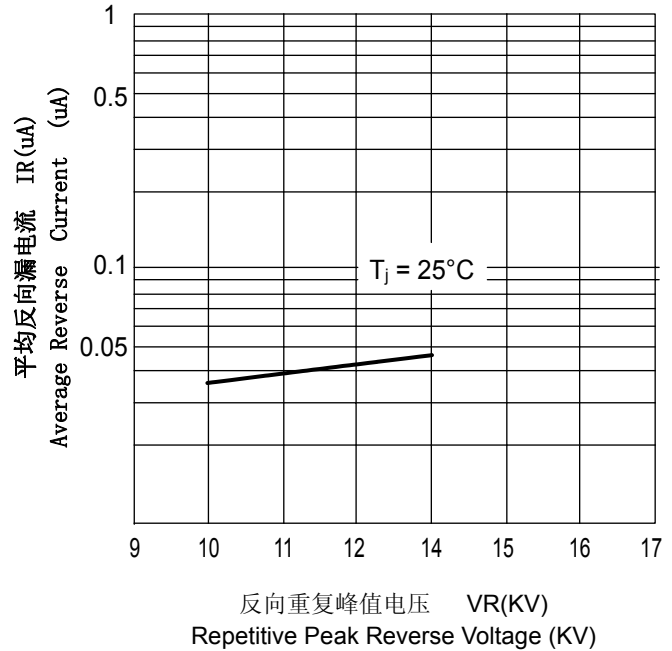
正向特性曲线

TYPICAL FORWARD CHARACTERISTIC



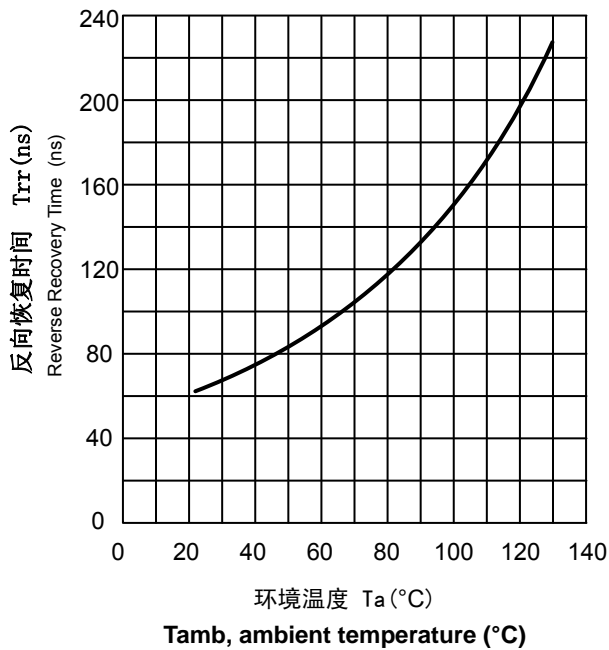
反向特性曲线

REVERSE CHARACTERISTIC [VR-IR]



反向恢复时间特性

REVERSE RECOVERY TIME CHARACTERISTIC [ $T_a$ - $T_{rr}$ ]



反向电压特性分布

REVERSE VOLTAGE CHARACTERISTIC DISTRIBUTION

