



表面贴装稳压二极管

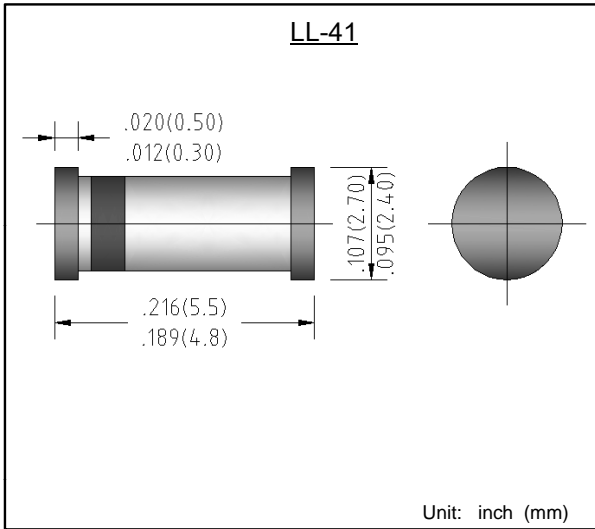
功率 1000 mW

稳压电压范围 3.3 - 100 V

Surface Mount Zener Diode

Power Dissipation 1000 mW

Zener Voltage Range 3.3 - 100 V



特征 Features

- 平面结构芯片 Planar die construction
- 标准稳压电压公差 $\pm 5\%$ Standard Zener voltage tolerance is $\pm 5\%$
- 表面贴装器件 Surface mount device
- 适合自动装配 Ideally suited for automated assembly processes
- 引线镀层符合RoHS标准
Lead plating according with RoHS standard

机械数据 Mechanical Data

- 封装: LL-41 玻璃封装 Case: LL-41 Glass case
- 极性: 色环端为负极 Polarity: Color band denotes cathode end
- 安装位置: 任意 Mounting Position: Any

最大值和特性 TA = 25°C 除非另有规定。

Maximum Ratings & Characteristics Ratings at 25°C ambient temperature unless otherwise specified.

参数 Parameter	符号 Symbols	数值	单位
		Value	Unit
功率消耗 Power Dissipation (Note 1)	P_D	1000	mW
典型热阻 Type Thermal Resistance (Note 1)	$R_{\theta JA}$	170	$^{\circ}\text{C}/\text{W}$
正向电压 Forward Voltage IF=200mA	V_{FM}	1.2	V
工作结温 Operating Junction Temperature Range	T_J	-65 --- +150	$^{\circ}\text{C}$
存储温度 Storage Temperature Range	T_{STG}	-65 --- +175	$^{\circ}\text{C}$

备注 Note:

- 1) Valid provided that leads at a distance of 10mm from case are kept at ambient temperat



产品型号 Part No.	V _Z @ I _{ZT}			Z _{ZT}		Z _{ZK}		I _R (uA)	
	Nom.(V)	Min.(V)	Max.(V)	Max. (Ω)	@I _{ZT} (mA)	Max. (Ω)	@I _{ZK} (mA)	Max.	@VR(V)
DL4728A	3.3	3.1	3.5	10	76	400	1	100	1.0
DL4729A	3.6	3.4	3.8	10	69	400	1	100	1.0
DL4730A	3.9	3.7	4.1	9	64	400	1	50	1.0
DL4731A	4.3	4.1	4.5	9	58	400	1	10	1.0
DL4732A	4.7	4.5	4.9	8	53	500	1	10	1.0
DL4733A	5.1	4.8	5.4	7	49	550	1	10	1.0
DL4734A	5.6	5.3	5.9	5	45	600	1	10	2.0
DL4735A	6.2	5.9	6.5	2	41	700	1	10	3.0
DL4736A	6.8	6.5	7.1	3.5	37	700	1	10	4.0
DL4737A	7.5	7.1	7.9	4	34	700	0.5	10	5.0
DL4738A	8.2	7.8	8.6	4.5	31	700	0.5	10	6.0
DL4739A	9.1	8.6	9.6	5	28	700	0.5	10	7.0
DL4740A	10	9.5	10.5	7	25	700	0.25	10	7.6
DL4741A	11	10.5	11.6	8	23	700	0.25	5	8.4
DL4742A	12	11.4	12.6	9	21	700	0.25	5	9.1
DL4743A	13	12.4	13.7	10	19	700	0.25	5	9.9
DL4744A	15	14.3	15.8	14	17	700	0.25	5	11.4
DL4745A	16	15.2	16.8	16	15.5	700	0.25	5	12.2
DL4746A	18	17.1	18.9	20	14	750	0.25	5	13.7
DL4747A	20	19.0	21.0	22	12.5	750	0.25	5	15.2
DL4748A	22	20.9	23.1	23	11.5	750	0.25	5	16.7
DL4749A	24	22.8	25.2	25	10.5	750	0.25	5	18.2
DL4750A	27	25.7	28.4	35	9.5	750	0.25	5	20.6
DL4751A	30	28.5	31.5	40	8.5	1000	0.25	5	22.8
DL4752A	33	31.4	34.7	45	7.5	1000	0.25	5	25.1
DL4753A	36	34.2	37.8	50	7	1000	0.25	5	27.4
DL4754A	39	37.1	41.0	60	6.5	1000	0.25	5	29.7
DL4755A	43	40.9	45.2	70	6	1500	0.25	5	32.7
DL4756A	47	44.7	49.4	80	5.5	1500	0.25	5	35.8
DL4757A	51	48.5	53.6	95	5	1500	0.25	5	38.8
DL4758A	56	53.2	58.8	110	4.5	2000	0.25	5	42.6
DL4759A	62	58.9	65.1	125	4	2000	0.25	5	47.1
DL4760A	68	64.6	71.4	150	3.7	2000	0.25	5	51.7
DL4761A	75	71.3	78.8	175	3.3	2000	0.25	5	56.0
DL4762A	82	77.9	86.1	200	3	3000	0.25	5	62.2
DL4763A	91	86.5	95.6	250	2.8	3000	0.25	5	69.2
DL4764A	100	95.0	105.0	350	2.5	3000	0.25	5	76.0